

Contents

<i>Description</i>	<i>Page</i>
Electronic Totalizers	
1/32 DIN LCD — Totalizers	54-23
1/32 DIN LED Multifunction Totalizer/ Timer/Ratemeter	54-25
Courier Series	54-26
1/8 DIN LED Multifunction Totalizer/ Timer/Ratemeter	54-28
Eclipse Series	54-29
President Series	54-31
Ambassador Series	54-35



Cat. No. E5-024-C0400

Features

- Low price and high efficiency
- Large 8-digit LCD display, height of the figures 0.31 Inch (8 mm)
- Various counting modes like up/down differential available
- High voltage input for 10 – 260V AC/DC voltage pulses
- IP65
- Screw terminals, RM 5 mm
- Lifetime of the battery approximately 8 years
- Locking of the reset key
- Operating temperature 14 to 140°F (-10 to 60°C)
- All version of positive or negative counting edge
- Filter function for bounce-free counting with mechanical contacts

Standards and Certifications

- UL Recognized
- CE Marked

Technical Data and Specifications

- Power Supply: Non-replaceable lithium battery (lifetime approximately 8 years at 68°F (20°C))
- Display: LCD, 8-digits, height of the figures 0.31 Inch (8 mm)
- Mode: Adding or subtracting (selectable), counting direction, differential counting or phase discriminator single or dual evaluation (selectable)
- Display Range: -9999999 – 99999999, with overflow display
- Reset: Manual and electrical
- Interference Emissions: EN 55011 Class B, EN 61 000-6-2, EN 61010 Section 1 (only AC versions)
- Housing: Dark gray RAL 7021
- Operating Temperature: 14 to 131°F (-10 to 55°C)
- Ambient Temperature: 14 to 140°F (-10 to 60°C)
- Storage Temperature: -4 to 158°F (-20 to 70°C)
- Protection: IP65 (from front)
- Weight: Approx. 1.76 oz (50 g)
- Counting Inputs —
 - Counting input of the DC version, max. 30V DC
 - Slow counting input, max. 30 Hz (NPN)
 - Fast counting input, max. 12 kHz (PNP)
 - Switching Level —
 - NPN: Low 0 – 0.7V, High 3 – 30V DC
 - PNP: Low 0 – 0.7V, High 4 – 30V DC
 - Counting Input of the High Voltage Versions: 10 – 260V AC/DC
 - Counting Input: Optocoupler input, max. 30 Hz
 - Min. Pulse Time: 16 mS
 - Switching Level—
 - Low: 0 – 2V AC/DC
 - High: 10 – 260V AC/DC
- Counting Direction Switching (only DC versions) —
 - Contact input, open collector NPN (switching at 0V DC)
 - Switching level, NPN —
 - Low, 0 – 0.7V, High 3 – 5V DC
- Reset Input (only DC and High Voltage) —
 - Minimum pulse time, DC: 50 mS; high voltage: 16 mS
 - Contact input NPN —
 - Low: 0 – 0.7V
 - High: 3 – 30V DC
 - High voltage input, 10 – 260V AC/DC
- Electrical Reset Key Locking (for DC and AC) —
 - Contact input, open collector NPN (switching at 0V)
 - Switching level, NPN —
 - Low, 0 – 0.7V, High 3 – 5V DC

1/32 DIN LCD — Totalizers

Product Selection

Table 54-29. Product Selection — 1/32 DIN LCD, Totalizers

Description	Catalog Number	Price U.S. \$
8-digit LCD Totalizer, Battery Power		
0.94 x 1.89 Inch (24 x 48 mm) LCD Totalizer	E5-024-C0400	
10 – 260V Input 0.94 x 1.89 Inch (24 x 48 mm) LCD Totalizer	E5-024-C0408	
Count Up/Down 0.94 x 1.89 Inch (24 x 48 mm) LCD Totalizer	E5-024-C0410	

Dimensions

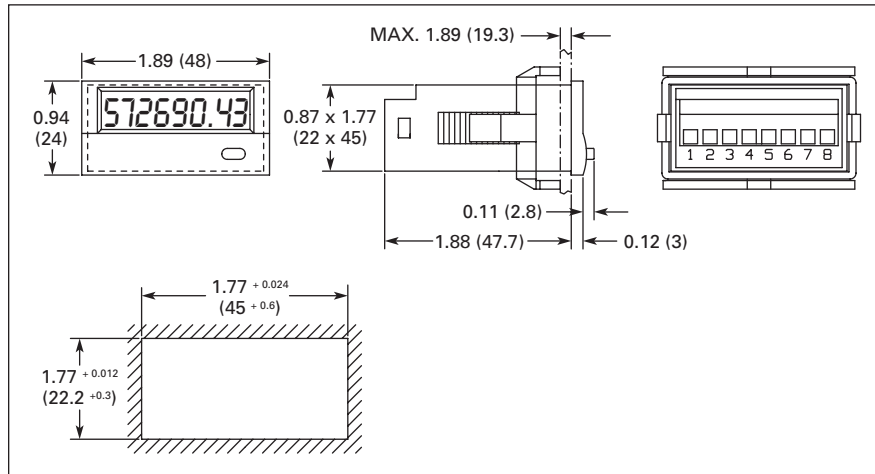


Figure 54-37. 1/32 DIN LCD, Totalizers — Approximate Dimensions in Inches (mm)